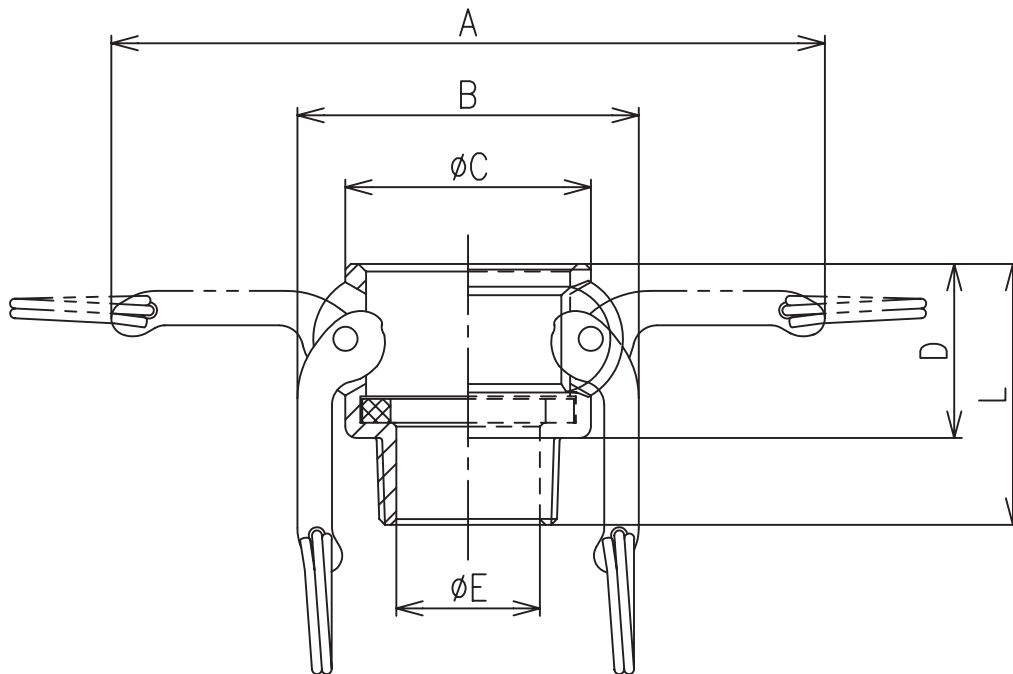




BILL OF MAT'L

ITEM	REQ.		MAT'L	DESCRIPTION
	WORKING	SPARE		



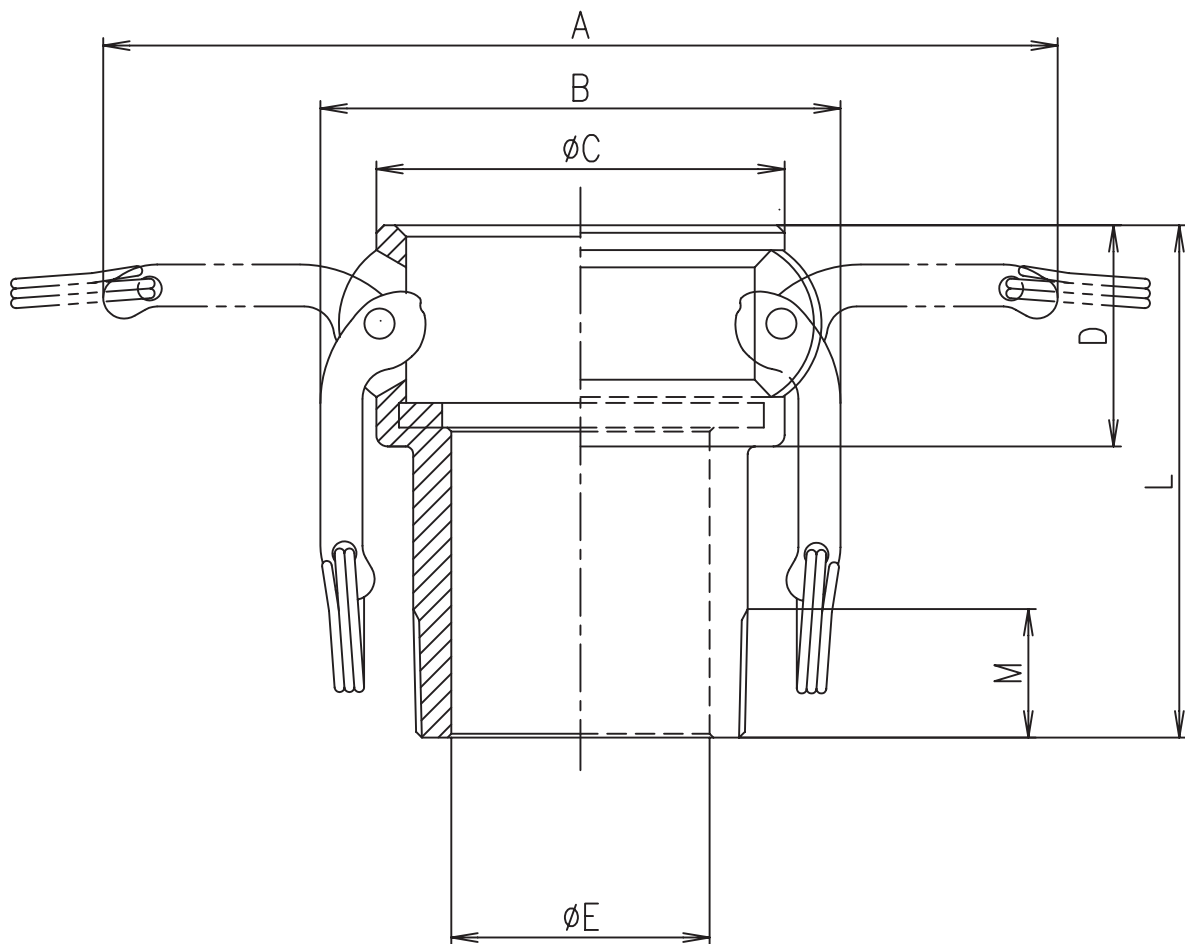
Dimensional sketch for AL/BR Kamlok-couplers. 633-BB											
dim.	1/2"	3/4"	1"	1.1/4"	1.1/2"	2"	2.1/2"	3"	4"	5"	6"
A	116	116	125	181	189	199	210	254	282	307	409
B	54	54	61	83	91	101	112	138	166	191	255
C	41	41	47	58	65	75	90	108	140	165	198
D	32	32	41	46	46	52	57	58	59	63	73
E	14	19	25	32	38	51	61	76	100	124	149
L	52	52	63	71	69	78	89	90	98	105	116
Dimensions in mm.											

TITLE Kamlok coupler. 633-BB AL/BR	CUSTOMER			NO.
	MAT'L AL/BR	DRAWN	DATE 98,05,12	REFERENCE
株式会社 トヨックス	WEIGHT	CHECKED		
	SCALE NONE	APPROVED	DWG. NO. CDS-A-56-1	△



BILL OF MAT'L

ITEM	REQ.		MAT'L	DESCRIPTION
	WORKING	SPARE		



AL Die Cast

Dimensional sketch for AL Kamlok-adaptor hose shanks.633-BB

dim	1/2"	3/4"	1"	1.1/4"	1.1/2"	2"	2.1/2"	3"
A	116	116	125	181	189	199	210	254
B	54	54	61	83	91	101	112	138
C	41	41	47	58	65	75	90	108
D	32	32	41	47	47	52	56	59
E	14	19	25	32	38	51	61	76
L	62	64	76	105	105	110	118	136
M	17	19	21	24	24	28	32	34

TITLE 633-BB AL	CUSTOMER			NO.
	MAT'L AL	DRAWN	DATE 05.01.11	REFERENCE
株式会社トヨックス	WEIGHT	CHECKED		
	SCALE 1/2	APPROVED	DWG. NO.	CDS-A-56-2 △