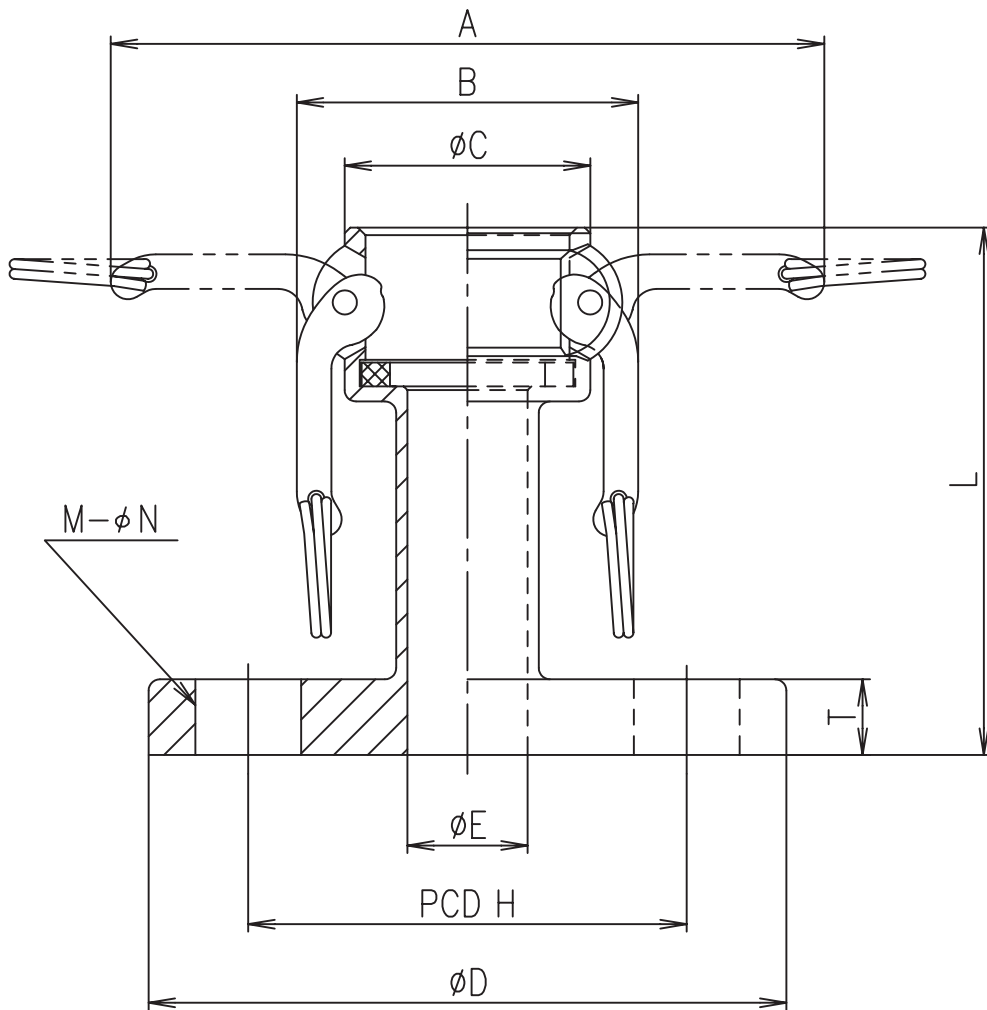


△	BILL OF MAT'L				
	ITEM	REQ.		MAT'L	DESCRIPTION
		WORKING	SPARE		



Dimensional sketch for AL/BR Kamlok-couplers・633-LBS												
dim.	1/2"	3/4"	1"	1.1/4"	1.1/2"	2"	2.1/2"	3"	4"	5"	6"	8"
A	—	116	125	181	189	199	210	254	282	307	409	474
B	—	54	61	61	91	101	112	138	166	191	255	320
C	—	41	47	58	65	75	90	108	140	165	198	264
D	—	100	125	135	140	155	175	185	210	250	280	330
E	—	14	20	25	32	45	57	67	89	114	142	188
H	—	75	90	100	105	120	140	150	175	210	240	290
L	—	83	98	104	107	122	135	155	155	187	205	250
M-N	—	4-15	4-19	4-19	4-19	4-19	4-19	8-19	8-19	8-23	8-23	12-23
T	—	15	18	18	18	18	18	22	24	24	24	25
Dimensions in mm.												

TITLE	WITH JIS10K FLANGE		CUSTOMER			NO.
	633-LBS AL/BR		MAT'L AL/BR	DRAWN	DATE 99,01,13	REFERENCE
株式会社トヨックス	WEIGHT		CHECKED			
	SCALE NONE		APPROVED		DWG. NO. CDS-LBS-90	△