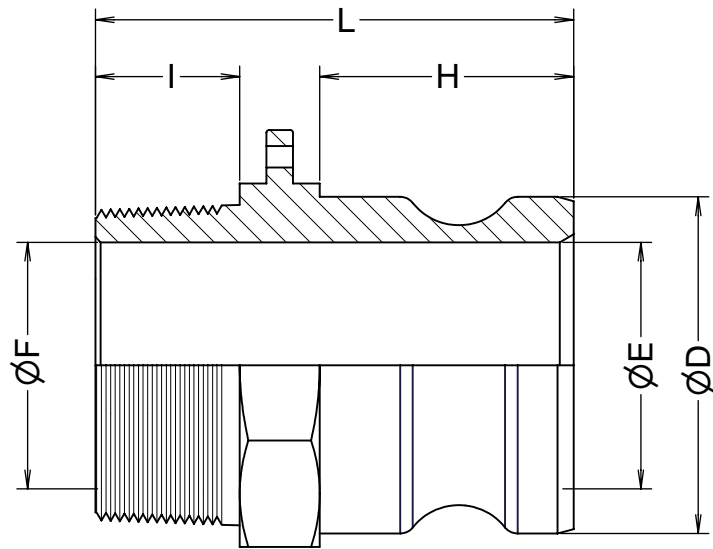
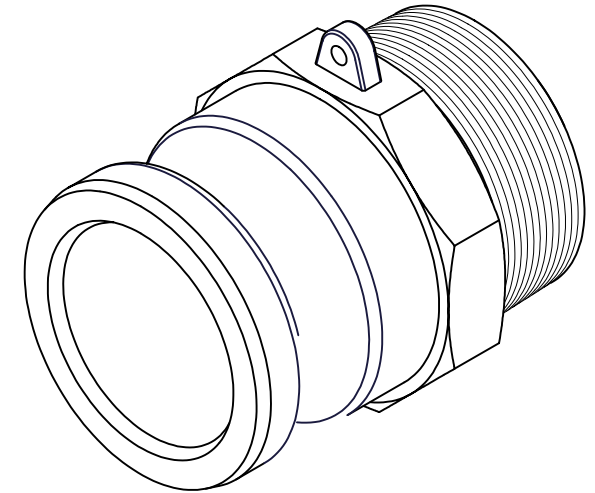
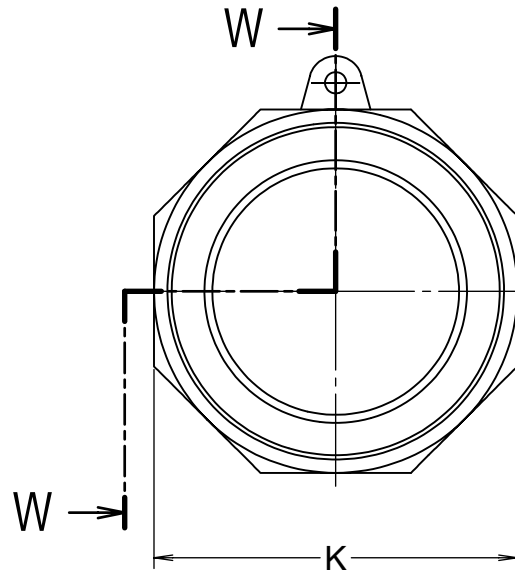



Part No.	75x50-F	75-F	100-F	125-F	150-F	200-F	250-F	300-F	400-F	500-F	600-F	
Size	mm	20x15	20	25	32	40	50	65	80	100	125	150
	inches	0.75x0.5	0.75	1	1.25	1.5	2	2.5	3	4	5	6
∅D		32.1	32.1	36.7	45.5	53.5	63	75.8	91.5	119.6	145.6	175.9
∅E		21	21	24	29	36	46	56	73	98	124	150
∅F		12	21	24	29	36	46	56	73	98	124	150
H		27	28	34	40	41	48	49	51	53	55	57
I		16	18	21	23	23	27	32	34	40	40	45
K		27	35	39	48	56	68	78	97	124	148	197
L		56	60	69	77	78	89	100	103	117	120	128
Weight(kg)		0.15	0.19	0.28	0.45	0.56	0.81	1.38	1.62	2.8	□	□

Units:mm



Section W-W



1	ボディ	SCS14A	1	
ITEM	PART NAME	MATERIAL	Q'TY	REMARKS
CUSTOMER		TITLE		
		MAX-LOK		
		MAX-F雄ネジアダプター		
DATE	SCALE	DRAW	APPR	
May.1'03	none	ToMo		
DWG No.			3	
MAX-F-04SS-06				
		 FULLNESS JAPAN CORPORATION.		