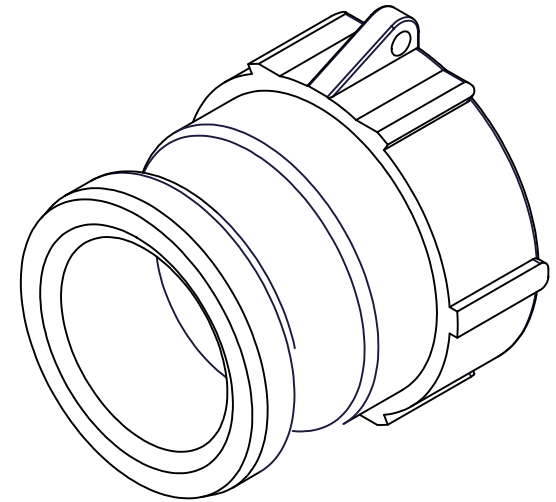
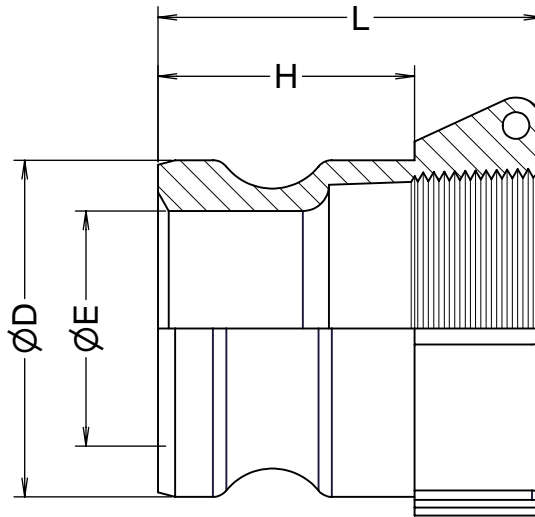
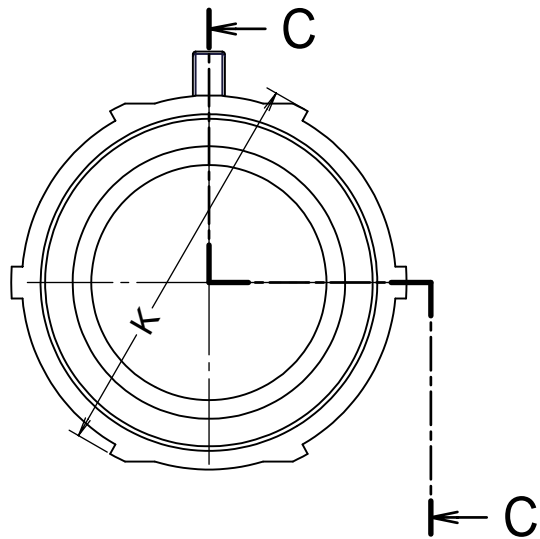



Part No.	75x50-A	75-A	100-A	125-A	150-A	200-A	300-A	400-A	
Size	mm	20x15	20	25	32	40	50	80	100
	inches	3/4 x 1/2	3/4	1	1-1/4	1-1/2	2	3	4
ØD		32	32	36.7	45.5	53.4	63	91	119.5
ØE		21	21	23	28	36	44	72	90
K		34	34	40	52	64	74	108	137
H		26	26	34	40	42	48	52	53
L		42	42	52	65	67	72	89	92

Units:mm



Section C-C

1	ボディ	ポリプロピレン	1	
ITEM	PART NAME	MATERIAL	Q'TY	REMARKS
		TITLE MAX-LOK		
		MAX-A 雌ネジアダプター		
		 FULLNESS JAPAN CORPORATION.		
Nominal Dia		CUSTOMER		
Fluid.		DATE	SCALE	DRAW
Press.		Jun.1'03	none	ToMo
Temp.		DWG No. MAX-A-05PP-02 3		
Drawing History				