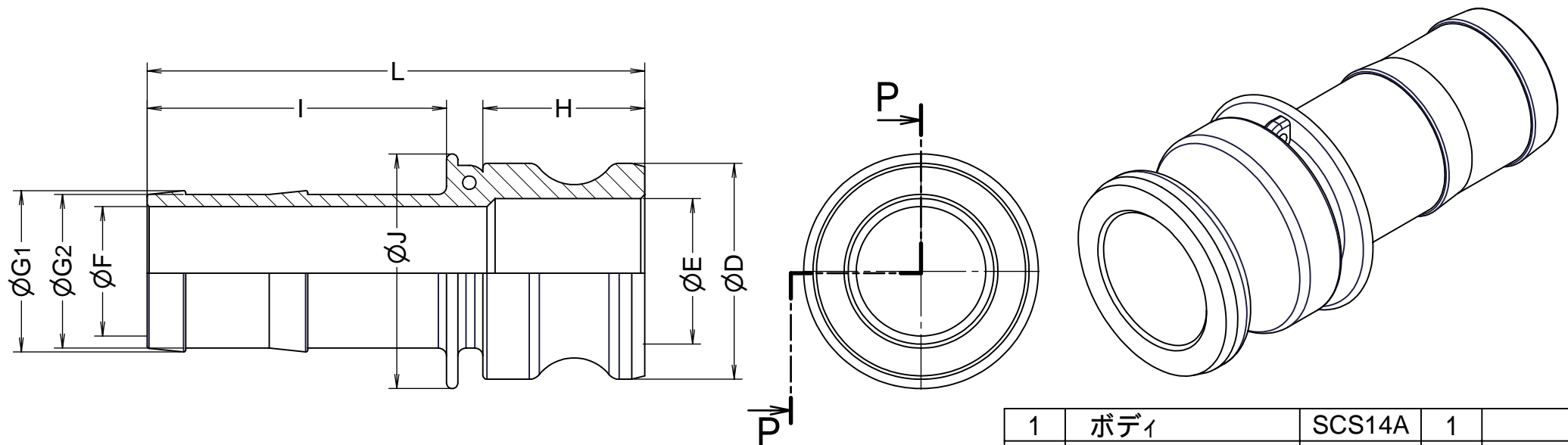



Part No.	75x50-E	75-E	100-E	125-E	150-E	200-E	250-E	300-E	400-E	500-E	600-E	
Size	mm	20x15	20	25	32	40	50	65	80	100	125	150
	inches	0.75x0.5	0.75	1	1.25	1.5	2	2.5	3	4	5	6
∅D		32.1	32.1	36.7	45.5	53.5	63	75.8	91.5	119.6	145.6	175.9
∅E		21	21	24	28	36	46	56.3	72.5	97.5	124	150
∅F		8	14	20	26	32	43	56.5	67	91	117	142
∅G ₁		15	21	27.5	34	40	53	67	78	103	129	156
∅G ₂		12	18.6	25	31	38	50	63	75	100	126	152
∅J		35	35	39	50	58	67	81	98	129	167	198
H		27	26	34	39	40	46.5	49	50	51	56	66
I		37	54.5	61	61	74	86	94	108	114	123	175
L		72	92	107	109	123	142	153	169	177	192	244
Weight(kg)		0.15	0.17	0.27	0.4	0.55	0.9	1.26	1.79	2.88	□	□

Units:mm



Section P-P

1	ボディ	SCS14A	1	
ITEM	PART NAME	MATERIAL	Q'TY	REMARKS
CUSTOMER		TITLE MAX-LOK		
DATE		SCALE	DRAW	APPR
Feb.16'06		none	ToMo	
DWG No.		MAX-E-04SS-06		3
		 FULLNESS JAPAN CORPORATION.		