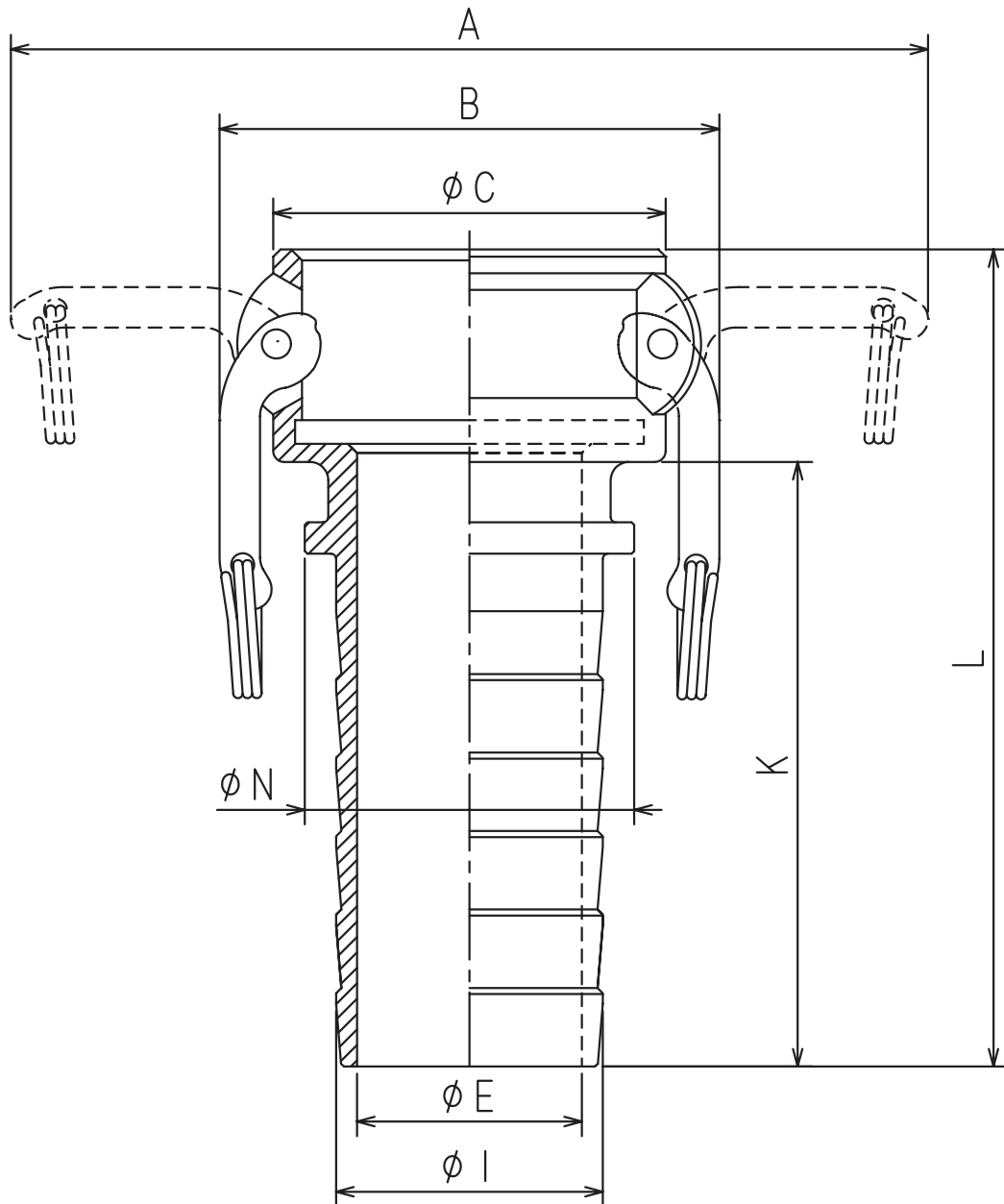


△	BILL OF MAT'L				
	ITEM	REQ.		MAT'L	DESCRIPTION
		WORKING	SPARE		



Dimensional sketch for SST Kamlok-coupler-hose-shanks. 633-CT

dim	1"	1. 1/4"	1. 1/2"	2"	2. 1/2"	3"	4"
A	125	181	189	199	210	254	282
B	61	83	91	101	112	138	166
C	47	58	65	75	90	108	140
E	20	26	31	43	55	67	92
I	25	32	38	51	64	77	102
K	80	85	105	115	124	140	150
L	121	132	152	167	180	199	210
N	-	-	46	63	76	90	118

TITLE 633-CT SST	CUSTOMER			NO.
	MAT'L SST	DRAWN	DATE	REFERENCE
株式会社 トヨックス	WEIGHT	CHECKED		
	SCALE None	APPROVED	DWG. NO.	TDS-S-577CT △