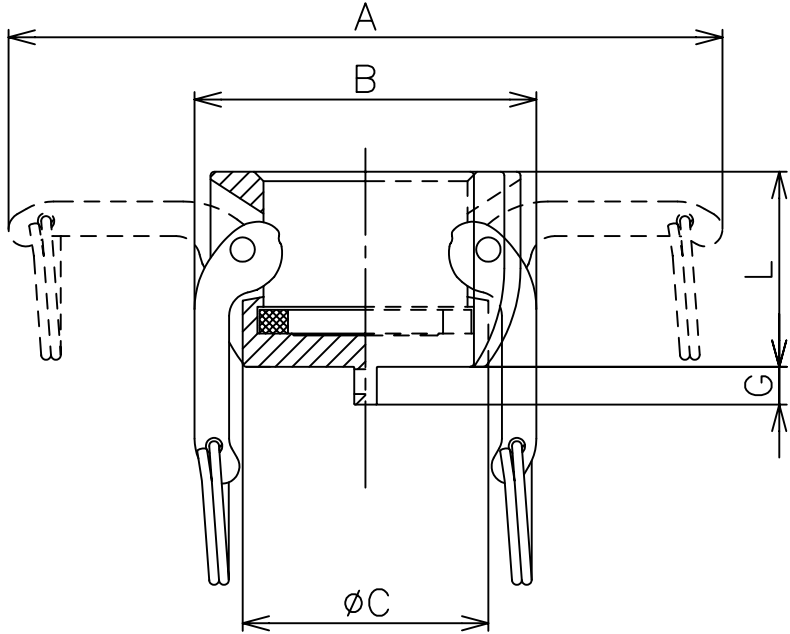




BILL OF MAT'L

ITEM	REQ.		MAT'L	DESCRIPTION
	WORKING	SPARE		



Dimensional sketch for PP Kamlok-adaptors. 634-B								
dim.	1/2"	3/4"	1"	1.1/4"	1.1/2"	2"	2.1/2"	3"
A			127		189	199		254
B			61		91	101		138
C			49		68	79		108
L			11		11	11		14
G			46		52	59		61
Dimensions in mm.								

TITLE Kamlok adaptor. 634-B PP	CUSTOMER			NO.
	MAT'L PP	DRAWN	DATE 97,10,03	REFERENCE
株式会社トヨックス	WEIGHT	CHECKED		
	SCALE 1:2	APPROVED	DWG. NO. CDS-P-98	