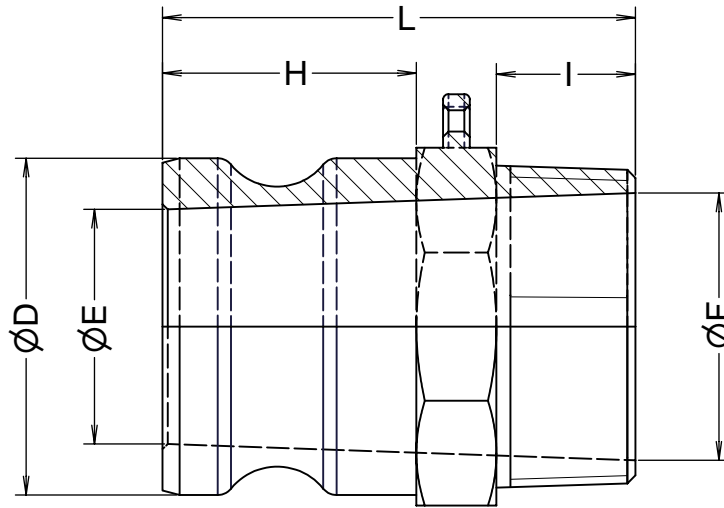
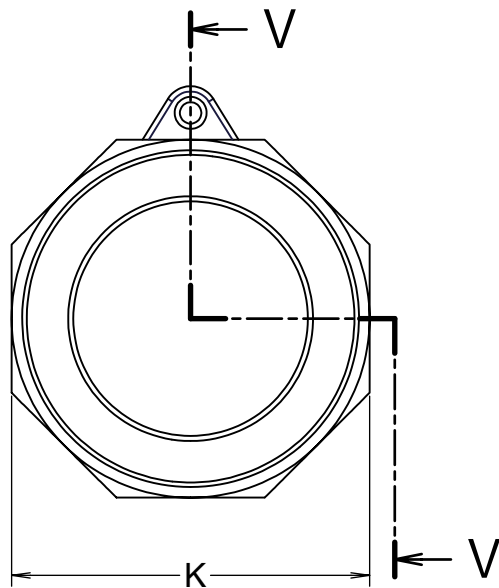
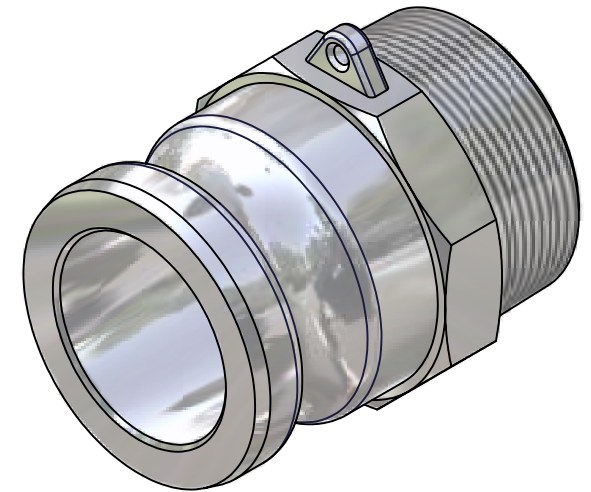



Part No.	75x50-F	75-F	100-F	125-F	150-F	200-F	250-F	300-F	400-F	
Size	mm	20x15	20	25	32	40	50	65	80	100
	inches	3/4x1/2	3/4	1	1-1/4	1-1/2	2	2-1/2	3	4
ØD	32	32	36.7	45.5	53.4	63	75.8	91.5	119.5	
ØE	21	22	23.5	27	34.5	44	56	73	98	
ØF	14	19	25	33	40	50	61.5	76	98.5	
H	27	28	34	40	42	47.5	49.5	51	52.6	
I	18	20	21	23	23	26	28.5	31	36	
K	27	34	41	48	56	67	77	92	122	
L	56	58	68	78	80	88.5	96.5	100	112	
Weight(kg)	0.05	0.06	0.09	0.12	0.19	0.28	0.39	0.5	0.94	

Units:mm



Section V-V



1	ボディ	AC4D-T6	1	
ITEM	PART NAME	MATERIAL	Q'TY	REMARKS
CUSTOMER		TITLE		
		MAX-LOK		
		MAX-F雄ネジアダプター		
DATE	SCALE	DRAW	APPR	
Oct.28'04	none	ToMo		
DWG No.				
MAX-F-01AL-AC4D		3		
		 FULLNESS JAPAN CORPORATION.		