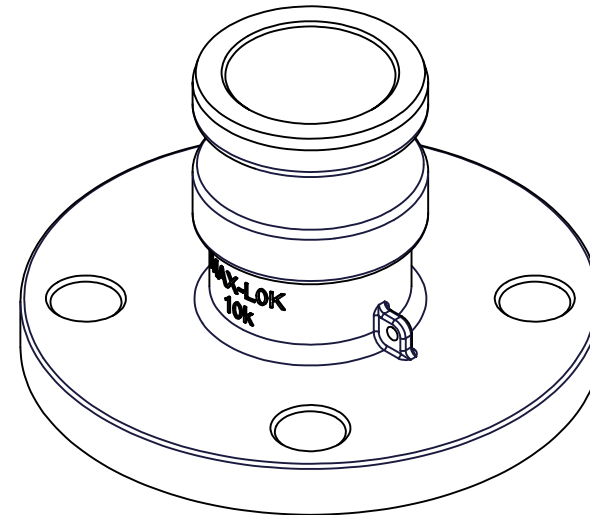



Section K-K

Part No.	100-FA	150-FA	200-FA	300-FA	
Size	mm	25	40	50	80
	inches	1	1 1/2	2	3
ØD	36.7	53.4	63	91.5	
ØE	24	36	45.5	73	
P.C.D ØF	90	105	120	150	
ØG	125	140	155	185	
n	4	4	4	8	
øh	19	19	19	19	
T	14	16	16	18	
H	35	41	45	52	
L	88	83.5	91	96	

Units:mm



1	ボディ	SCS14A	1	
ITEM	PART NAME	MATERIAL	Q'TY	REMARKS
CUSTOMER		TITLE		
		MAX-LOK MAX-FA-JIS10k フランジアダプター		
DATE	SCALE	DRAW	APPR	
Sep.7'05	none	ToMo		
DWG No.				
MAX-FA-04SS-58		3		
		 FULLNESS JAPAN CORPORATION.		