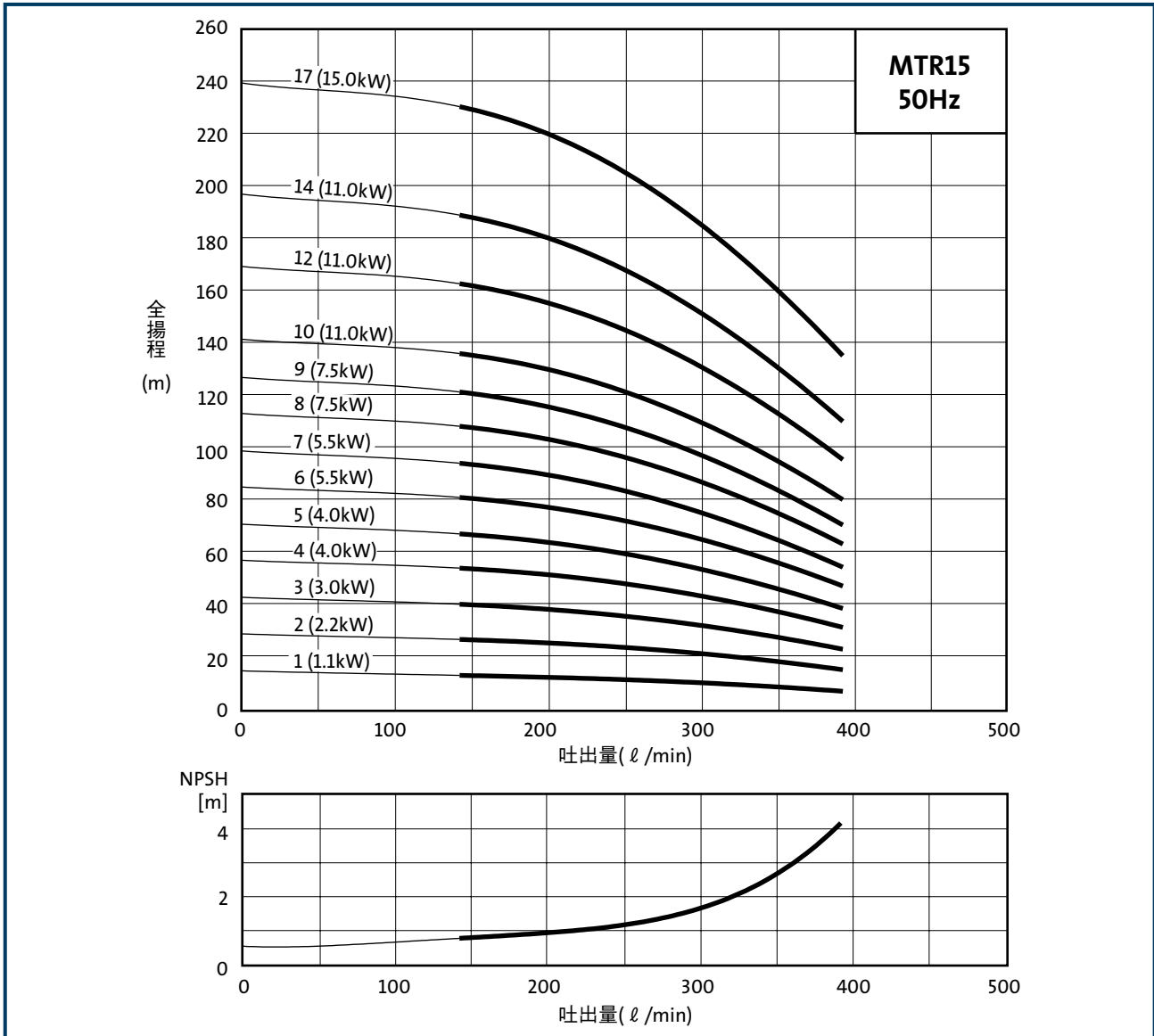


■選定図



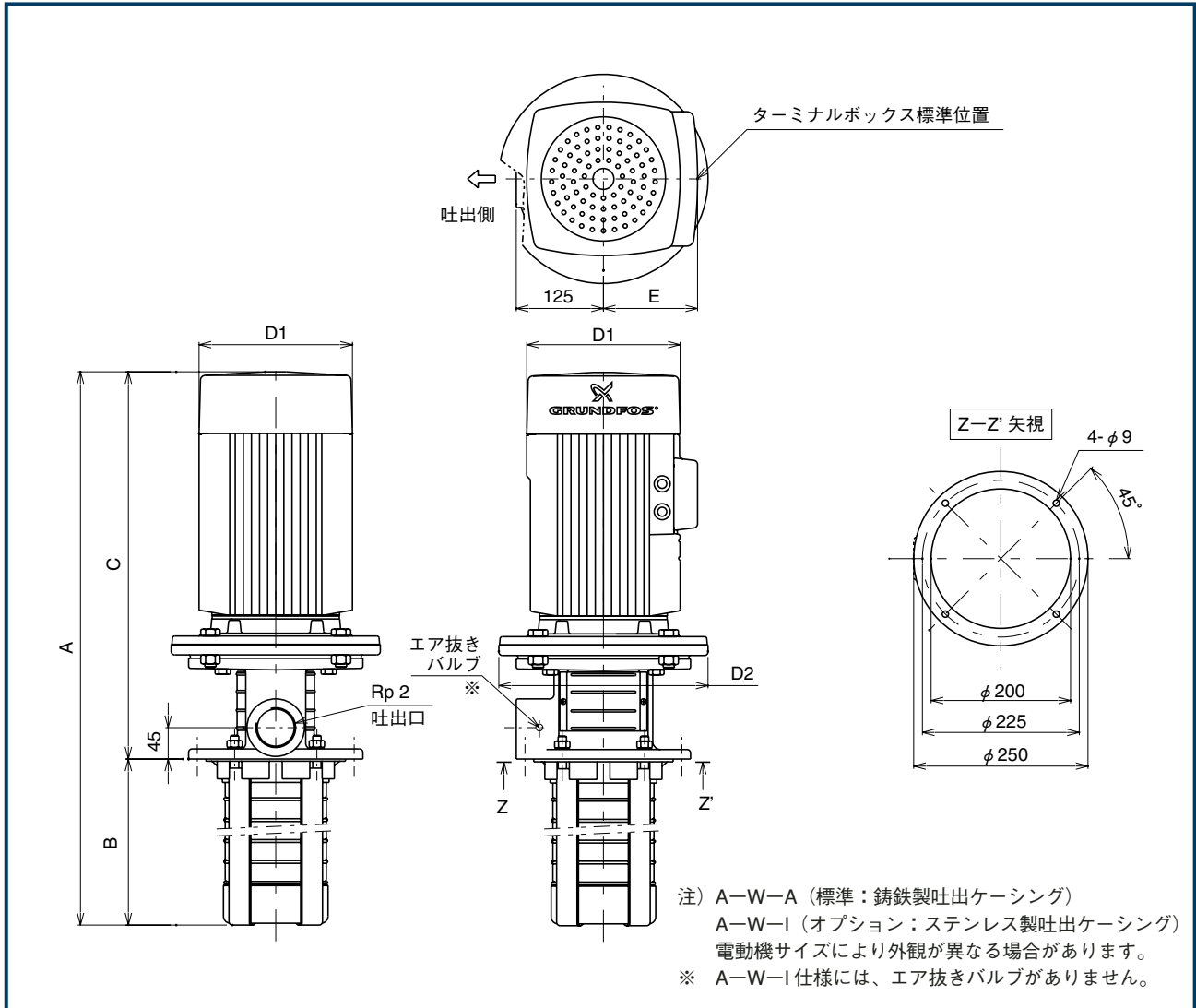
■要目表

| 型式          | 吐出口        | インペラ数 | 電動機出力 [kW] | 吐出量 [ℓ/min] | 全揚程 [m] | 吐出量 [ℓ/min] | 全揚程 [m] |
|-------------|------------|-------|------------|-------------|---------|-------------|---------|
| MTR 15-xx/1 | 50A (Rp 2) | 1     | 1.1        | 142         | 12.5    | 392         | 5.8     |
| MTR 15-xx/2 |            | 2     | 2.2        |             | 26      |             | 14.6    |
| MTR 15-xx/3 |            | 3     | 3.0        |             | 40      |             | 23      |
| MTR 15-xx/4 |            | 4     | 4.0        |             | 53      |             | 31      |
| MTR 15-xx/5 |            | 5     | 4.0        |             | 66      |             | 38      |
| MTR 15-xx/6 |            | 6     | 5.5        |             | 80      |             | 46      |
| MTR 15-xx/7 |            | 7     | 5.5        |             | 93      |             | 53      |

| 型式           | 吐出口        | インペラ数 | 電動機出力 [kW] | 吐出量 [ℓ/min] | 全揚程 [m] | 吐出量 [ℓ/min] | 全揚程 [m] |
|--------------|------------|-------|------------|-------------|---------|-------------|---------|
| MTR 15-xx/8  | 50A (Rp 2) | 8     | 7.5        | 142         | 107     | 392         | 61      |
| MTR 15-xx/9  |            | 9     | 7.5        |             | 121     |             | 70      |
| MTR 15-xx/10 |            | 10    | 11.0       |             | 136     |             | 81      |
| MTR 15-xx/12 |            | 12    | 11.0       |             | 163     |             | 96      |
| MTR 15-xx/14 |            | 14    | 11.0       |             | 190     |             | 111     |
| MTR 15-17/17 |            | 17    | 15.0       |             | 231     |             | 136     |

■寸法図

MTR 15 (A-W-A, A-W-I 共通図)



■寸法表

MTR 15 50Hz

| 型式          | インベラ数 | 電動機出力 (kW) | 寸法(mm) |     |     |             |      |     | 概略重量 (kg) | 型式         | インベラ数 | 電動機出力 (kW) | 寸法(mm) |     |     |     |     |     | 概略重量 (kg) |
|-------------|-------|------------|--------|-----|-----|-------------|------|-----|-----------|------------|-------|------------|--------|-----|-----|-----|-----|-----|-----------|
|             |       |            | A      | B   | C   | D1          | D2   | E   |           |            |       |            | A      | B   | C   | D1  | D2  | E   |           |
| MTR 15-3/1  | 1     | 1.1        | 594    | 223 | 371 | 141         | 140  | 109 | 24        | MTR 15-3/3 | 3     | 3.0        | 698    | 223 | 475 | 198 | 160 | 120 | 40        |
| MTR 15-4/1  |       |            | 639    | 268 |     |             |      |     | 25        | MTR 15-4/3 |       |            | 743    | 268 |     |     |     |     | 41        |
| MTR 15-5/1  |       |            | 684    | 313 |     |             |      |     | 25        | MTR 15-5/3 |       |            | 788    | 313 |     |     |     |     | 41        |
| MTR 15-6/1  |       |            | 729    | 358 |     |             |      |     | 26        | MTR 15-6/3 |       |            | 833    | 358 |     |     |     |     | 42        |
| MTR 15-7/1  |       |            | 774    | 403 |     |             |      |     | 26        | MTR 15-7/3 |       |            | 878    | 403 |     |     |     |     | 42        |
| MTR 15-8/1  |       |            | 819    | 448 |     |             |      |     | 27        | MTR 15-8/3 |       |            | 923    | 448 |     |     |     |     | 43        |
| MTR 15-3/2  |       |            | 2      | 2.2 |     |             |      |     | 684       | 223        |       |            | 461    | 178 |     |     |     |     | 140       |
| MTR 15-4/2  | 729   | 268        |        |     | 38  | MTR 15-12/3 | 1103 | 628 | 45        |            |       |            |        |     |     |     |     |     |           |
| MTR 15-5/2  | 774   | 313        |        |     | 39  | MTR 15-14/3 | 1193 | 718 | 46        |            |       |            |        |     |     |     |     |     |           |
| MTR 15-6/2  | 819   | 358        |        |     | 39  | MTR 15-17/3 | 1328 | 853 | 47        |            |       |            |        |     |     |     |     |     |           |
| MTR 15-7/2  | 864   | 403        |        |     | 40  | MTR 15-4/4  | 780  | 268 | 53        |            |       |            |        |     |     |     |     |     |           |
| MTR 15-8/2  | 909   | 448        |        |     | 40  | MTR 15-5/4  | 825  | 313 | 54        |            |       |            |        |     |     |     |     |     |           |
| MTR 15-10/2 | 999   | 538        |        |     | 41  | MTR 15-6/4  | 870  | 358 | 54        |            |       |            |        |     |     |     |     |     |           |
| MTR 15-12/2 | 1089  | 628        |        |     | 42  | MTR 15-7/4  | 915  | 403 | 55        |            |       |            |        |     |     |     |     |     |           |
| MTR 15-14/2 | 1179  | 718        |        |     | 43  | MTR 15-8/4  | 960  | 448 | 55        |            |       |            |        |     |     |     |     |     |           |

MTR 15 50Hz

| 型 式          | インベラ<br>数 | 電動機出力<br>(kW) | 寸 法(mm) |     |      |     |     | 概略重量<br>(kg) |     |     |     |     |     |     |    |
|--------------|-----------|---------------|---------|-----|------|-----|-----|--------------|-----|-----|-----|-----|-----|-----|----|
|              |           |               | A       | B   | C    | D1  | D2  |              | E   |     |     |     |     |     |    |
| MTR 15-10/4  | 4         | 4.0           | 1050    | 538 | 512  | 220 | 160 | 134          | 56  |     |     |     |     |     |    |
| MTR 15-12/4  |           |               | 1140    | 628 |      |     |     |              | 57  |     |     |     |     |     |    |
| MTR 15-14/4  |           |               | 1230    | 718 |      |     |     |              | 58  |     |     |     |     |     |    |
| MTR 15-17/4  |           |               | 1365    | 853 |      |     |     |              | 60  |     |     |     |     |     |    |
| MTR 15-5/5   | 5         | 4.0           | 825     | 313 | 512  | 220 | 160 | 134          | 54  |     |     |     |     |     |    |
| MTR 15-6/5   |           |               | 870     | 358 |      |     |     |              | 55  |     |     |     |     |     |    |
| MTR 15-7/5   |           |               | 915     | 403 |      |     |     |              | 55  |     |     |     |     |     |    |
| MTR 15-8/5   |           |               | 960     | 448 |      |     |     |              | 56  |     |     |     |     |     |    |
| MTR 15-10/5  |           |               | 1050    | 538 |      |     |     |              | 57  |     |     |     |     |     |    |
| MTR 15-12/5  |           |               | 1140    | 628 |      |     |     |              | 58  |     |     |     |     |     |    |
| MTR 15-14/5  |           |               | 1230    | 718 |      |     |     |              | 59  |     |     |     |     |     |    |
| MTR 15-17/5  |           |               | 1365    | 853 |      |     |     |              | 60  |     |     |     |     |     |    |
| MTR 15-6/6   |           |               | 6       | 5.5 |      |     |     |              | 913 | 358 | 555 | 220 | 300 | 134 | 68 |
| MTR 15-7/6   |           |               |         |     |      |     |     |              | 958 | 403 |     |     |     |     | 68 |
| MTR 15-8/6   | 1003      | 448           |         |     | 69   |     |     |              |     |     |     |     |     |     |    |
| MTR 15-10/6  | 1093      | 538           |         |     | 70   |     |     |              |     |     |     |     |     |     |    |
| MTR 15-12/6  | 1183      | 628           |         |     | 71   |     |     |              |     |     |     |     |     |     |    |
| MTR 15-14/6  | 1273      | 718           |         |     | 72   |     |     |              |     |     |     |     |     |     |    |
| MTR 15-17/6  | 1408      | 853           |         |     | 73   |     |     |              |     |     |     |     |     |     |    |
| MTR 15-7/7   | 7         | 5.5           |         |     | 958  | 403 | 555 | 220          | 300 | 134 |     |     |     |     | 69 |
| MTR 15-8/7   |           |               | 1003    | 448 | 69   |     |     |              |     |     |     |     |     |     |    |
| MTR 15-10/7  |           |               | 1093    | 538 | 70   |     |     |              |     |     |     |     |     |     |    |
| MTR 15-12/7  |           |               | 1183    | 628 | 71   |     |     |              |     |     |     |     |     |     |    |
| MTR 15-14/7  |           |               | 1273    | 718 | 72   |     |     |              |     |     |     |     |     |     |    |
| MTR 15-17/7  |           |               | 1408    | 853 | 74   |     |     |              |     |     |     |     |     |     |    |
| MTR 15-8/8   |           |               | 8       | 7.5 | 1003 | 448 |     |              |     |     | 555 | 220 | 300 | 134 | 74 |
| MTR 15-10/8  | 1093      | 538           |         |     | 75   |     |     |              |     |     |     |     |     |     |    |
| MTR 15-12/8  | 1183      | 628           |         |     | 76   |     |     |              |     |     |     |     |     |     |    |
| MTR 15-14/8  | 1273      | 718           |         |     | 77   |     |     |              |     |     |     |     |     |     |    |
| MTR 15-17/8  | 1408      | 853           |         |     | 78   |     |     |              |     |     |     |     |     |     |    |
| MTR 15-9/9   | 9         | 7.5           | 1048    | 493 | 555  | 220 | 300 | 134          | 75  |     |     |     |     |     |    |
| MTR 15-12/9  |           |               | 1183    | 628 |      |     |     |              | 76  |     |     |     |     |     |    |
| MTR 15-14/9  |           |               | 1273    | 718 |      |     |     |              | 77  |     |     |     |     |     |    |
| MTR 15-17/9  |           |               | 1408    | 853 |      |     |     |              | 79  |     |     |     |     |     |    |
| MTR 15-10/10 | 10        | 11.0          | 1210    | 538 | 672  | 314 | 350 | 226          | 117 |     |     |     |     |     |    |
| MTR 15-12/10 |           |               | 1300    | 628 |      |     |     |              | 118 |     |     |     |     |     |    |
| MTR 15-14/10 |           |               | 1390    | 718 |      |     |     |              | 119 |     |     |     |     |     |    |
| MTR 15-17/10 |           |               | 1525    | 853 |      |     |     |              | 120 |     |     |     |     |     |    |
| MTR 15-12/12 | 12        | 11.0          | 1300    | 628 | 672  | 314 | 350 | 226          | 119 |     |     |     |     |     |    |
| MTR 15-14/12 |           |               | 1390    | 718 |      |     |     |              | 120 |     |     |     |     |     |    |
| MTR 15-17/12 |           |               | 1525    | 853 |      |     |     |              | 121 |     |     |     |     |     |    |
| MTR 15-14/14 | 14        | 11.0          | 1390    | 718 | 672  | 314 | 350 | 226          | 121 |     |     |     |     |     |    |
| MTR 15-17/14 |           |               | 1525    | 853 |      |     |     |              | 122 |     |     |     |     |     |    |
| MTR 15-17/17 |           |               | 1525    | 853 |      |     |     |              | 672 | 314 | 350 | 226 | 132 |     |    |

MTR 15 60Hz

| 型 式         | インベラ<br>数 | 電動機出力<br>(kW) | 寸 法(mm) |     |     |     |     | 概略重量<br>(kg) |     |     |     |     |     |     |    |
|-------------|-----------|---------------|---------|-----|-----|-----|-----|--------------|-----|-----|-----|-----|-----|-----|----|
|             |           |               | A       | B   | C   | D1  | D2  |              | E   |     |     |     |     |     |    |
| MTR 15-3/1  | 1         | 1.5           | 644     | 223 | 421 | 178 | 140 | 110          | 36  |     |     |     |     |     |    |
| MTR 15-4/1  |           |               | 689     | 268 |     |     |     |              | 36  |     |     |     |     |     |    |
| MTR 15-5/1  |           |               | 734     | 313 |     |     |     |              | 37  |     |     |     |     |     |    |
| MTR 15-6/1  |           |               | 779     | 358 |     |     |     |              | 37  |     |     |     |     |     |    |
| MTR 15-7/1  |           |               | 824     | 403 |     |     |     |              | 38  |     |     |     |     |     |    |
| MTR 15-8/1  |           |               | 869     | 448 |     |     |     |              | 38  |     |     |     |     |     |    |
| MTR 15-10/1 |           |               | 959     | 538 |     |     |     |              | 39  |     |     |     |     |     |    |
| MTR 15-3/2  |           |               | 2       | 3.0 |     |     |     |              | 698 | 223 | 475 | 198 | 160 | 120 | 40 |
| MTR 15-4/2  |           |               |         |     |     |     |     |              | 743 | 268 |     |     |     |     | 40 |

| 型 式          | インベラ<br>数 | 電動機出力<br>(kW) | 寸 法(mm) |      |     |     |     | 概略重量<br>(kg) |      |
|--------------|-----------|---------------|---------|------|-----|-----|-----|--------------|------|
|              |           |               | A       | B    | C   | D1  | D2  |              | E    |
| MTR 15-5/2   | 2         | 3.0           | 788     | 313  | 475 | 198 | 160 | 120          | 41   |
| MTR 15-6/2   |           |               | 833     | 358  |     |     |     |              | 41   |
| MTR 15-7/2   |           |               | 878     | 403  |     |     |     |              | 42   |
| MTR 15-8/2   |           |               | 923     | 448  |     |     |     |              | 42   |
| MTR 15-10/2  |           |               | 1013    | 538  |     |     |     |              | 43   |
| MTR 15-12/2  |           |               | 1103    | 628  |     |     |     |              | 44   |
| MTR 15-14/2  |           |               | 1193    | 718  |     |     |     |              | 45   |
| MTR 15-17/2  | 1328      | 853           | 47      |      |     |     |     |              |      |
| MTR 15-3/3   | 3         | 4.0           | 735     | 223  | 512 | 220 | 160 | 134          | 52   |
| MTR 15-4/3   |           |               | 780     | 268  |     |     |     |              | 53   |
| MTR 15-5/3   |           |               | 825     | 313  |     |     |     |              | 53   |
| MTR 15-6/3   |           |               | 870     | 358  |     |     |     |              | 54   |
| MTR 15-7/3   |           |               | 915     | 403  |     |     |     |              | 54   |
| MTR 15-8/3   |           |               | 960     | 448  |     |     |     |              | 55   |
| MTR 15-10/3  |           |               | 1050    | 538  |     |     |     |              | 56   |
| MTR 15-12/3  |           |               | 1140    | 628  |     |     |     |              | 57   |
| MTR 15-14/3  |           |               | 1230    | 718  |     |     |     |              | 58   |
| MTR 15-17/3  |           |               | 1365    | 853  |     |     |     |              | 59   |
| MTR 15-4/4   | 4         | 5.5           | 823     | 268  | 555 | 220 | 300 | 134          | 66   |
| MTR 15-5/4   |           |               | 868     | 313  |     |     |     |              | 66   |
| MTR 15-6/4   |           |               | 913     | 358  |     |     |     |              | 67   |
| MTR 15-7/4   |           |               | 958     | 403  |     |     |     |              | 67   |
| MTR 15-8/4   |           |               | 1003    | 448  |     |     |     |              | 68   |
| MTR 15-10/4  |           |               | 1093    | 538  |     |     |     |              | 69   |
| MTR 15-12/4  |           |               | 1183    | 628  |     |     |     |              | 70   |
| MTR 15-14/4  | 1273      | 718           | 71      |      |     |     |     |              |      |
| MTR 15-17/4  | 1408      | 853           | 72      |      |     |     |     |              |      |
| MTR 15-5/5   | 5         | 7.5           | 868     | 313  | 555 | 220 | 300 | 134          | 71   |
| MTR 15-6/5   |           |               | 913     | 358  |     |     |     |              | 71   |
| MTR 15-7/5   |           |               | 958     | 403  |     |     |     |              | 72   |
| MTR 15-8/5   |           |               | 1003    | 448  |     |     |     |              | 72   |
| MTR 15-10/5  |           |               | 1093    | 538  |     |     |     |              | 73   |
| MTR 15-12/5  | 1183      | 628           | 74      |      |     |     |     |              |      |
| MTR 15-14/5  | 1273      | 718           | 75      |      |     |     |     |              |      |
| MTR 15-17/5  | 1408      | 853           | 77      |      |     |     |     |              |      |
| MTR 15-6/6   | 6         | 11.0          | 1030    | 358  | 672 | 314 | 350 | 226          | 113  |
| MTR 15-7/6   |           |               | 1075    | 403  |     |     |     |              | 113  |
| MTR 15-8/6   |           |               | 1120    | 448  |     |     |     |              | 114  |
| MTR 15-10/6  |           |               | 1210    | 538  |     |     |     |              | 115  |
| MTR 15-12/6  | 1300      | 628           | 116     |      |     |     |     |              |      |
| MTR 15-14/6  | 1390      | 718           | 117     |      |     |     |     |              |      |
| MTR 15-17/6  | 1525      | 853           | 118     |      |     |     |     |              |      |
| MTR 15-7/7   | 7         | 11.0          | 1075    | 403  | 672 | 314 | 350 | 226          | 114  |
| MTR 15-8/7   |           |               | 1120    | 448  |     |     |     |              | 114  |
| MTR 15-10/7  |           |               | 1210    | 538  |     |     |     |              | 115  |
| MTR 15-12/7  |           |               | 1300    | 628  |     |     |     |              | 116  |
| MTR 15-14/7  |           |               | 1390    | 718  |     |     |     |              | 117  |
| MTR 15-17/7  |           |               | 1525    | 853  |     |     |     |              | 119  |
| MTR 15-8/8   |           |               | 8       | 11.0 |     |     |     |              | 1120 |
| MTR 15-10/8  | 1210      | 538           |         |      | 116 |     |     |              |      |
| MTR 15-12/8  | 1300      | 628           |         |      | 117 |     |     |              |      |
| MTR 15-14/8  | 1390      | 718           |         |      | 118 |     |     |              |      |
| MTR 15-17/8  | 1525      | 853           | 119     |      |     |     |     |              |      |
| MTR 15-10/10 | 10        | 15.0          | 1210    | 538  | 672 | 314 | 350 | 226          | 125  |
| MTR 15-12/10 |           |               | 1300    | 628  |     |     |     |              | 126  |
| MTR 15-14/10 |           |               | 1390    | 718  |     |     |     |              | 127  |
| MTR 15-17/10 |           |               | 1525    | 853  |     |     |     |              | 128  |
| MTR 15-12/12 | 12        | 18.5          | 1340    | 628  | 712 | 314 | 350 | 226          | 144  |
| MTR 15-14/12 |           |               | 1430    | 718  |     |     |     |              | 145  |
| MTR 15-17/12 |           |               | 1565    | 853  |     |     |     |              | 146  |